

SIQURA

PM10

Pole mount for BL/FD200xM1 series cameras

DESCRIPTION

Pole mount adapter for FD2002M1-EI, FD2005M1-EI, WM21, BL2002M1-EI, and BL2005M1-EI.

FEATURES

Stainless steel

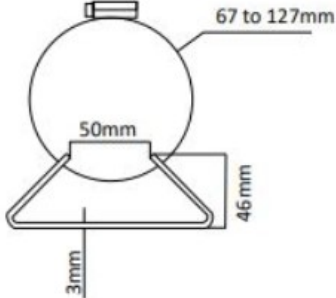
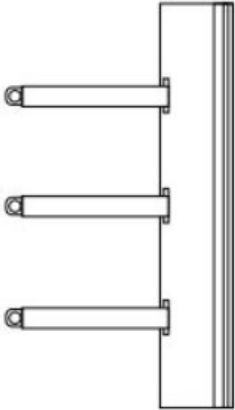
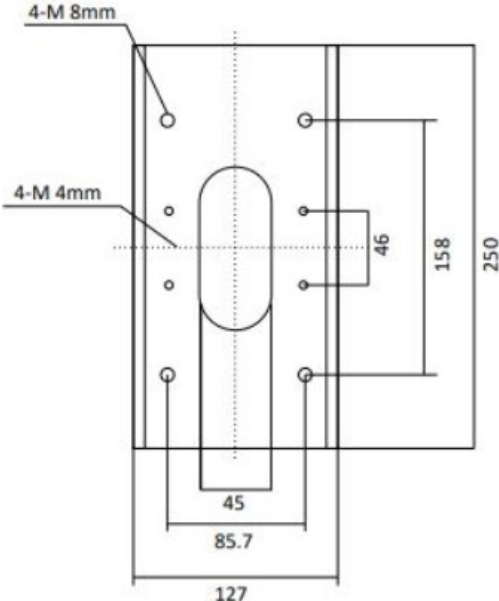
RAL 9003 (signal white)

127 x 46 x 250 mm

1205 g



DIMENSIONS IN MM



unit: mm